

## GUQ



### ■ GUQ型-气动高真空(压力)球阀

- GUQ型气动高真空(压力)球阀是通过电磁换向阀改变气路方向,控制执行气缸来驱动球阀,达到接通或切断真空(压力)系统管道中的介质流。应用于真空、乳制品、酒业、生物工程、食品、制药、饮料、化妆品及化工领域。可选配反馈信号装置及电气阀门定位器。

### ■ GUQ

#### Pneumatic High Vacuum (Pressure) Ball Valve

- Rack-and Pinion system owners, nonprofit organizations, and office workers who produced in-house newsletters, bulletins, and the like, and who mostly used Windows-based Purchase. orkers who produced in-house newsletters, bulletins, and the like, and who mostly used Windows-based Purchase and fixed position of the electricity valve machine.

### ■ 主要技术性能

#### Main Technical Performance

■ 阀门漏率: Valve Leak Rate	≤1.3X10 <sup>-4</sup> Pa.L/S.
■ 适用温度: Applicable Temperature	-30~+150℃ -30~+150℃(PPL密封)
■ 气源压力: Annoy pressure	0.4~0.6MPa
适用范围: Applicability	
连接型式 Loose Flange	使用压力范围(Pa)
活套法兰 (GB6070)	0.6X10 <sup>5</sup> ~1.3X10 <sup>4</sup>
焊接法兰 (GB6070)	1.6X10 <sup>5</sup> ~1.3X10 <sup>4</sup>
快卸法兰 (GB4982)	0.1X10 <sup>4</sup> ~1.3X10 <sup>4</sup>
螺纹连接 Threaded Connection	1.6X10 <sup>5</sup> ~1.3X10 <sup>4</sup>

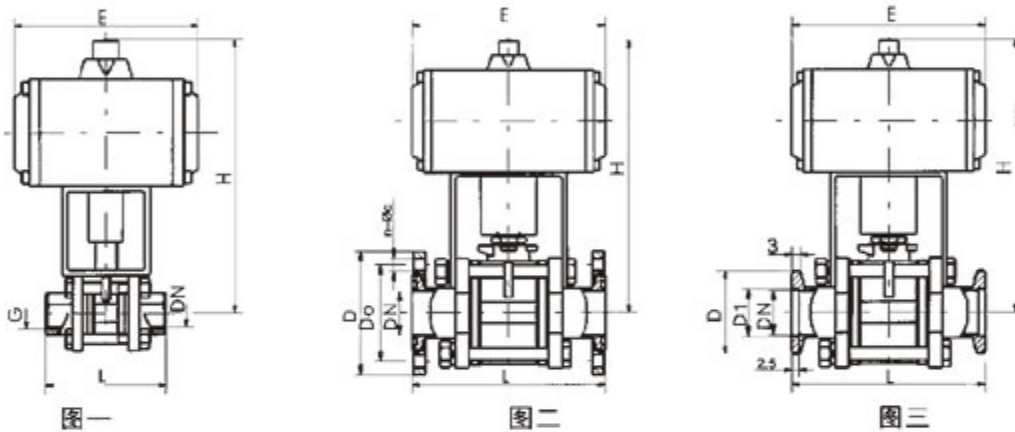
### ■ 主要零件材料

#### Materials of Main Parts

- 阀体、阀盖、阀杆: 不锈钢  
密封件: 四氟乙烯、丁腈橡胶、氟橡胶、PPL。
- Body, disc and stem: stainless steel  
Sealing element: PTFE, NBR, Viton, PPL.

CONSTRUCTION FIGHTS(mm)

■ 外形及连接尺寸(mm) (JB919)  
Overall and Connection Dimensions (mm)



■ 螺纹连接的外形及连接尺寸 (图一)

Model 型号	DN	G	H	E	L
GUQ-10(G)	10	1/4"	153	104	68
GUQ-16(G)	16	1/2"	155	104	72
GUQ-20(G)	20	3/4"	160	104	82
GUQ-25(G)	25	1"	163	140	90
GUQ-32(G)	32	1-1/4"	180	140	112
GUQ-40(G)	40	1-1/2"	186	140	120
GUQ-50(G)	50	2"	233	164	145
GUQ-63(G)	63	2-1/2"	272	164	185
GUQ-80(G)	80	3"	351	190	210
GUQ-100(G)	100	4"	370	190	268

■ 活套法兰连接(GB6070) (图二)

Model 型号	DN	D	Do	H	E	L	n-φc
GUQ-10(F)	10	55	40	153	105	84	4-φ6.6
GUQ-16(F)	16	60	45	155	130	84	4-φ6.6
GUQ-25(F)	25	70	55	163	165	114	4-φ6.6
GUQ-32(F)	32	90	70	180	165	140	4-φ9
GUQ-40(F)	40	100	80	186	190	160	4-φ9
GUQ-50(F)	50	110	90	233	190	170	4-φ9
GUQ-63(F)	63	130	110	272	250	195	4-φ9
GUQ-80(F)	80	145	125	351	250	203	8-φ9
GUQ-100(F)	100	165	145	370	280	280	8-φ9

■ 快卸法兰连接(GB4982) (图三)

Model 型号	DN	D1	D	H	E	L
GUQ-10(KF)	10	12.2	30	153	104	84
GUQ-16(KF)	16	17.2	30	155	104	84
GUQ-25(KF)	25	26.2	40	163	140	114
GUQ-32(KF)	32	34.2	55	180	140	140
GUQ-40(KF)	40	41.2	55	186	140	160
GUQ-50(KF)	50	52.2	75	233	164	170