

## CCQ



### ■ CCQ型-气动超高真空插板阀

- CCQ型气动超高真空插板阀是通过电磁换向阀改变气路方向，控制执行气缸驱动阀板作上下运动，达到阀门的开启或关闭。阀门用于接通或切断真空管路中的气流。适用介质为纯净空气和非腐蚀性气体。带反馈信号装置。

### ■ CCQ

#### Pneumatic Ultra-high Vacuum Gate Valve

- CCQ pneumatic ultra-high vacuum gate valve uses solenoid directional valve to change the direction of air passage, and controls the actuating cylinder to drive the valve disc up and down to make the valve opened or closed. It is used to put through or cut off the air passage in vacuum pipeline. Applicable medium can be pure air and noncorrosive gases. With signal feedback device.

### ■ 主要技术性能

#### Main Technical Performance

■ 适用范围: Applicability	$10^5 \sim 1.3 \times 10^{-7} \text{ Pa}$
■ 阀门漏率: Valve Leak Rate	$\leq 1.3 \times 10^{-7} \text{ Pa.L/S. (DN} \leq 200)$ $\leq 6.7 \times 10^{-7} \text{ Pa.L/S. (DN} \geq 250)$
■ 适用温度: Applicable Temperature	$-30 \sim +150^\circ \text{C}$
■ 阀门开启时阀板两侧的压差: The differential pressure between the two sides of valve disc upon valve opening:	$\leq 2.7 \times 10^5 \text{ Pa.}$
■ 气源压力: Annoy pressure	$0.4 \sim 0.6 \text{ MPa}$

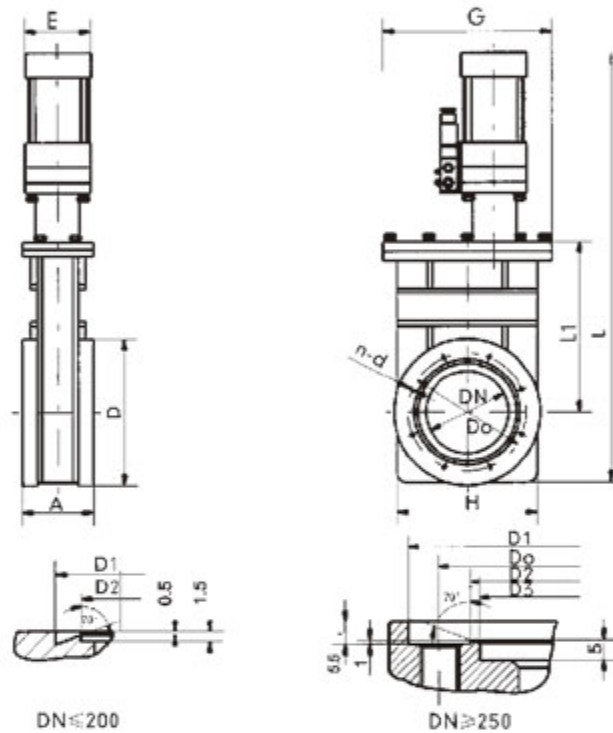
### ■ 主要零件材料

#### Materials of Main Parts

- 阀体、阀板: 不锈钢  
密封件: 氟橡胶、波纹管(轴封)、丁腈橡胶。
- Body, and disc: stainless steel  
Sealing element: Viton, bellows (shaft seal), NBR

CONSTRUCTION FIGHTS(mm)

■ 外形及连接尺寸(mm)  
Overall and Connection Dimensions (mm)



Model 型号	DN	A	H	D	Do	D1	D2	D3	L	L1	G	E	n-d	法兰标准
CCQ-50	50	60	92	89	72.4	61.6	55.6		515	153	220	65	8-M8	GB6071
CCQ-63	63	65	105	114	92.1	82.6	76.6		566	180	220	80	8-M8	
CCQ-80	80	65	130	130	110	99	93		603	200	220	80	16-M8	
CCQ-100	100	70	152	152	130.2	120.7	114.7		653	267	220	95	16-M8	
CCQ-150	150	70	202	202	181	171.5	165.5		771	350	270	95	20-M8	
CCQ-200	200	80	251	253	231.8	222.3	216.6		889	424	270	115	24-M8	
CCQ-250	250	85	300	314	288	308	275	271	1127	574	350	140	24-M10	JB5278
CCQ-300	300	85	352	365	338	353	323	318	1197	613	420	140	32-M10	
CCQ-320	320	85	372	385	357	379	344	340	1197	613	440	140	36-M10	JB5278
CCQ-400	400	110	456	497	454	480	440	436	1666	810	536	180	36-M12	
CCQ-500	500	135	595	590	555	580	540	536	1835	870	640	220	40-M12	
CCQ-630	630	135	690	700	658	680	639	635	1930	960	780	280	40-M16	
CCQ-800	800	150	880	890	855	880	835	831	2200	1100	950	350	60-M16	