

CC



■ CC型-超高真空插板阀

- CC型手动超高真空插板阀是以手柄带动阀板作上下运动使阀板开启或关闭。阀门用于接通或切断真空管路中的气流。
适用介质为纯净空气和非腐蚀性气体。

■ CC

Manual Ultra-high Vacuum Gate Valve

- CC manual ultra-high vacuum gate valve uses a handle to drive valve disc up and down to perform open and close action. It is used to put through or cut off the airflow in vacuum pipeline. Applicable medium can be pure air and noncorrosive gases.

■ 主要技术性能

Main Technical Performance

■ 适用范围: Applicability	$10^5 \sim 1.3 \times 10^{-7} \text{ Pa}$
■ 阀门漏率: Valve Leak Rate	$\leq 1.3 \times 10^{-7} \text{ Pa} \cdot \text{L/S}$
■ 适用温度: Applicable Temperature	$-30 \sim +150^\circ \text{C}$
■ 阀门开启时阀板两侧的压差: The differential pressure between the two sides of valve disc upon valve opening:	$\leq 2.7 \times 10^3 \text{ Pa}$

■ 主要零件材料

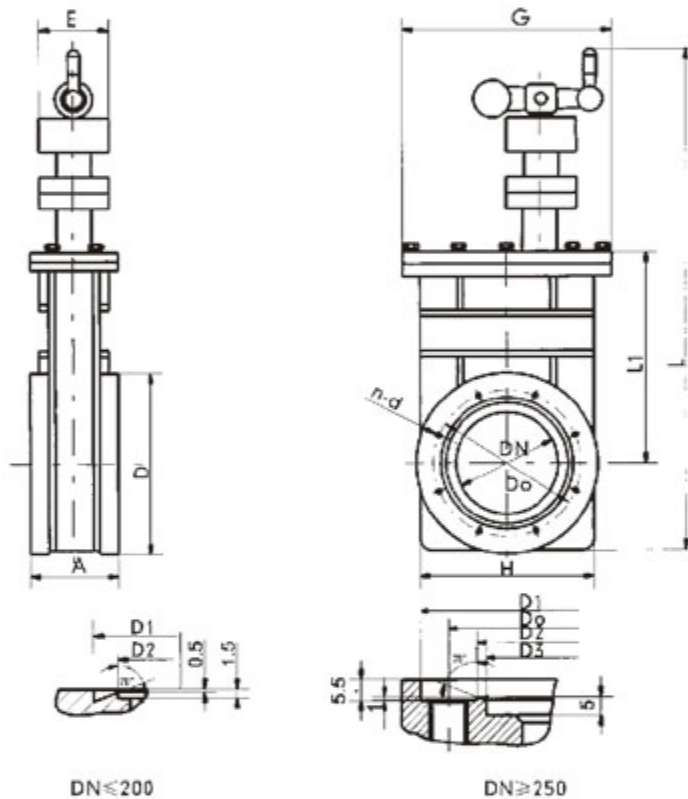
Materials of Main Parts

- 阀体、阀板: 不锈钢
密封件: 氟橡胶、波纹管(轴封)、丁腈橡胶。
- Body, and disc: stainless steel
Sealing element: Viton, bellows (shaft seal), NBR

CONSTRUCTION FIGHTS(mm)

■ 外形及连接尺寸(mm)

Overall and Connection Dimensions (mm)



Model 型号	DN	A	H	D	Do	D1	D2	D3	L	L1	G	E	n-d	法兰标准
CC-50	50	60	92	89	72.4	61.6	55.6		515	153	220	124	8-M8	GB6071
CC-63	63	65	105	114	92.1	82.6	76.6		566	180	220	124	8-M8	
CC-80	80	65	130	130	110	99	93		603	200	220	124	16-M8	
CC-100	100	70	152	152	130.2	120.7	114.7		653	267	220	124	16-M8	
CC-150	150	70	202	202	181	171.5	165.5		771	350	270	150	20-M8	
CC-200	200	80	251	253	231.8	222.3	216.6		889	424	270	150	24-M8	
CC-250	250	85	300	314	288	308	275	271	1127	550	298	200	24-M10	JB5278
CC-300	300	85	352	365	338	353	323	318	1197	613	298	200	32-M10	
CC-320	320	85	372	385	357	379	344	340	1197	613	298	200	36-M10	JB5278